

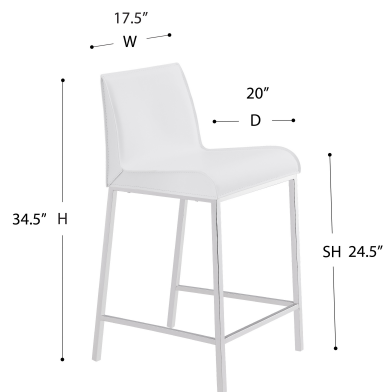


Cam Counter Stool 15202WHT

A variation on a modern classic. The real leather seats and backs offer up a sense of elegant luxury. The polished stainless steel legs and footrests make them as strong as they are contemporary.

Features:

- Regenerated leather seat and back
- 15,000 double rubs
- Fully welded polished stainless steel legs and footrest
- White threads with white edge piping
- Minor Assembly Required
- Weight capacity 350 lbs.
- Contract Grade



OVERALL DIMENSIONS

| | | | | |
|--|-------------------------|--------------------|-----------------|--|
| Assembled Size: | W: 17.33 | D: 19.89 | H: 34.26 | INCHES (W: 44 D: 50.5 H: 87 CM) |
| Net Weight/PC: | 14.78 | LBS | (6.7 | KG) |
| Gross Weight/CTN: | 35.72 | LBS | (16.2 | KG) |
| Weight Capacity/CTN: | 700 | LBS | (317.52 | KG) |
| Carton Dimension: | W: 24.81 | D: 21.66 | H: 19.69 | INCHES (W: 63 D: 55 H: 50 CM) |
| Volume/CTN: | CUFT: 6.2 | (CBM: 0.18) | | |
| Quantity in Carton: | 2 | PC/CTN | | |
| Assembled/RTA: | Minor Assembly Required | | | |
| Vendor Code: | SNTF | | | |
| Minimum Order QTY (For Container Orders): | 50 | PCS | | |

Remarks:
